



# CELL CULTURE SOLUTIONS

When a single drop of fluid can make the difference in someone's health, you need smart fluid handling solutions that get the job done safely. Manufacturers worldwide rely on connector products that improve yield, cut costs and reduce time to market.

**FlowLinX™ cell culture solutions are the optimal choice for ease of use and versatility in your workflows.**

Our products can be customized to your application and come pre-sterilized, ready to use, ensuring you maintain purity and integrity of your cell lines. Choose FlowLinX™ cell culture solutions to accelerate your research, drug development and manufacturing projects.

## TABLE OF CONTENTS

- ◆ [Culture Flasks | Page 2](#)
- ◆ [Rocking Bioreactor Bags | Page 6](#)
- ◆ [Media Bottles, Assemblies & Caps | Page 10](#)
- ◆ [2D Bio Bag Assemblies | Page 13](#)





## PC FLASK SPECIFICATIONS:

- Manufactured in an ISO 7 Cleanroom
- ISO 9001:2015 Certified Facility
- USP Class VI and Animal Component Free
- Non-Pyrogenic and DNase/RNase Free
- Sterilizable by Gamma Irradiation and Autoclave
- Available with Sterility Assurance level  $10^{-6}$  per ISO 11137

## PETG FLASK SPECIFICATIONS:

- Manufactured in an ISO 7 Cleanroom
- ISO 9001:2015 Certified Facility
- USP Class VI and Animal Component Free
- Non-Pyrogenic and DNase/RNase Free
- Sterilizable by Gamma Irradiation
- Available with Sterility Assurance level  $10^{-6}$  per ISO 11137

## PC/PETG FLASK REGULATORY OVERVIEW

### Material of Construction

PC or PETG

### Biocompatibility

USP <85>, Bacterial Endotoxin

USP <87>, Biological Reactivity Tests, Cytotoxicity, In Vitro

USP <88>, Biological Reactivity Tests, Class VI, In Vivo

ISO 10993-4, Hemolysis

ISO 10993-5, Cytotoxicity

ISO 10993-6, Implantation

ISO 10993-10, Irritation and Sensitization

ISO 10993-11, Systemic Toxicity

### Physiochemical

USP <661>, Plastic Packaging Systems

### Particulate

USP <788>, Particulate Matter in Injections

### Legislation

REACH

RoHS

### Shelf Life

3 Years, Non-Sterile/Non-Irradiated

## ERLENMEYER FLASKS:

PART NUMBER	VOLUME	FLASK BOTTOM	FLASK MATERIAL	STERILITY CLAIM	QTY PER PACK/CASE
F-PCF-125ML-G	125mL	Baffled	Polycarbonate	Sterile	1/24
F-PGFP-125ML-G		Plain	PETG		
F-PCFP-125ML-G		Plain	Polycarbonate		
F-PCF-125ML	125mL	Baffled	Polycarbonate	Non-Sterile	1/24
F-PGFP-125ML		Plain	PETG		
F-PCFP-125ML		Plain	Polycarbonate		
F-PCF-250ML-G	250mL	Baffled	Polycarbonate	Sterile	1/12
F-PGFP-250ML-G		Plain	PETG		
F-PCFP-250ML-G		Plain	Polycarbonate		
F-PCF-250ML	250mL	Baffled	Polycarbonate	Non-Sterile	1/12
F-PGFP-250ML		Plain	PETG		
F-PCFP-250ML		Plain	Polycarbonate		
F-PCF-500ML-G	500mL	Baffled	Polycarbonate	Sterile	1/12
F-PGFP-500ML-G		Plain	PETG		
F-PCFP-500ML-G		Plain	Polycarbonate		
F-PCF-500ML	500mL	Baffled	Polycarbonate	Non-Sterile	1/12
F-PGFP-500ML		Plain	PETG		
F-PCFP-500ML		Plain	Polycarbonate		
F-PCF-001L-G	1L	Baffled	Polycarbonate	Sterile	1/12
F-PGFP-001L-G		Plain	PETG		
F-PCFP-001L-G		Plain	Polycarbonate		
F-PCF-001L	1L	Baffled	Polycarbonate	Non-Sterile	1/12
F-PGFP-001L		Plain	PETG		
F-PCFP-001L		Plain	Polycarbonate		
F-PCFP-003L-G	3L	Plain	Polycarbonate	Sterile	1/12
F-PCFP-005L-G	5L	Plain	Polycarbonate		1/6
F-PCFP-003L	3L	Plain	Polycarbonate	Non-Sterile	1/12
F-PCFP-005L	5L	Plain	Polycarbonate		1/6

## FLASK CAPS:

PART NUMBER	DESCRIPTION	CAP MATERIAL	HOSE BARB ID	CLOSURE SIZE	PACK SIZE	STERILITY CLAIM
F-FCC-2B	2 Port Cap	Polypropylene	(2) - 1/8"	250mL/500mL/1L Erlenmeyer Flask	12	Non-Sterile
F-FCC-3B	3 Port Cap	Polypropylene	(3) - 1/8"	250mL/500mL/1L Erlenmeyer Flask	12	Non-Sterile
F-FCC-2BL	2 Port Cap	Polypropylene	(2) - 1/4"	3L/5L Erlenmeyer Flask	12	Non-Sterile
F-FCC-1	Solid Flat Cap	Polypropylene	N/A	125mL Erlenmeyer Flask	12	Non-Sterile
F-FCC-2	Solid Flat Cap	Polypropylene	N/A	250mL/500mL/1L Erlenmeyer Flask	12	Non-Sterile
F-FCC-3	Solid Flat Cap	Polypropylene	N/A	3L/5L Erlenmeyer Flask	12	Non-Sterile



### ERLENMEYER FLASK ASEPTIC TRANSFER CAP:

PART NUMBER	FLASK VOLUME	CONFIGURATION	QUANTITY PER PACK/CASE	STERILITY CLAIM	FIGURE DETAILS
F-FCA-250ML-2	250ml	Line 1: 1/8" x 1/4" TPE Tubing; 24" OAL w/ Male Luer Lock; Diptube Line 2: 1/8" x 1/4", 4" OAL w/ vent filter	1/4	Sterile	Figure 1
F-FCA-500ML-2	500mL	Line 1: 1/8" x 1/4" TPE Tubing; 24" OAL w/ Male Luer Lock; Diptube Line 2: 1/8" x 1/4", 4" OAL w/ vent filter	1/4	Sterile	
F-FCA-001L-2	1L	Line 1: 1/8" x 1/4" TPE Tubing; 24" OAL w/ Male Luer Lock; Diptube Line 2: 1/8" x 1/4", 4" OAL w/ vent filter	1/4	Sterile	
F-FCA-003L-2	3L	Line 1: 1/8" x 1/4" TPE Tubing; 24" OAL w/ Male Luer Lock; Diptube Line 2: 1/8" x 1/4", 4" OAL w/ vent filter	1/2	Sterile	
F-FCA-005L-2	5L				

### FLASK ASSEMBLIES: 2 PORT CAP:

PART NUMBER	VOLUME	FLASK BOTTOM	FLASK MATERIAL	CONFIGURATION	QUANTITY PER PACK/	STERILITY CLAIM	FIGURE DETAILS
F-PCFA-250ML-2	250ml	Baffled	Polycarbonate	Line 1: 1/8" x 1/4" TPE Tubing; 24" OAL w/ Male Luer Lock; Diptube Line 2: 1/8" x 1/4", 4" OAL w/ vent filter	1/4	Sterile	Figure 2
F-PGFPA-250ML-2		Plain	PETG				
F-PCFPA-250ML-2		Plain	Polycarbonate				
F-PCFA-500ML-2	500mL	Baffled	Polycarbonate	Line 1: 1/8" x 1/4" TPE Tubing; 24" OAL w/ Male Luer Lock; Diptube Line 2: 1/8" x 1/4", 4" OAL w/ vent filter	1/4	Sterile	
F-PGFPA-500ML-2		Plain	PETG				
F-PCFPA-500ML-2		Plain	Polycarbonate				
F-PCFA-001L-2	1L	Baffled	Polycarbonate	Line 1: 1/8" x 1/4" TPE Tubing; 24" OAL w/ Male Luer Lock; Diptube Line 2: 1/8" x 1/4", 4" OAL w/ vent filter	1/4	Sterile	
F-PGFPA-001L-2		Plain	PETG				
F-PCFPA-001L-2		Plain	Polycarbonate				
F-PCFA-003L-2	3L	Plain	Polycarbonate	Line 1: 1/4" x 7/16" TPE Tubing; 24" OAL w/ Male Luer Lock; Diptube Line 2: 1/4" x 7/16" TPE Tubing, 4" OAL w/ vent filter	1/2	Sterile	Figure 3
F-PCFA-005L-2	5L	Plain	Polycarbonate				Figure 4

### FLASK ASSEMBLIES: 3 PORT CAP:

PART NUMBER	VOLUME	FLASK BOTTOM	FLASK MATERIAL	CONFIGURATION	QUANTITY PER PACK/	STERILITY CLAIM	FIGURE DETAILS
F-PCFA-250ML-3	250ml	Baffled	Polycarbonate	Line 1: 1/8" x 1/4" TPE Tubing; 24" OAL w/ Male Luer Lock; Diptube Line 2: 1/8" x 1/4", 4" OAL w/ vent filter Line 3: 1/8" x 1/4" TPE Tubing;	1/4	Sterile	Figure 5
F-PGFPA-250ML-3		Plain	PETG				
F-PCFPA-250ML-3		Plain	Polycarbonate				
F-PCFA-500ML-3	500mL	Baffled	Polycarbonate	Line 1: 1/8" x 1/4" TPE Tubing; 24" OAL w/ Male Luer Lock; Diptube Line 2: 1/8" x 1/4", 4" OAL w/ vent filter Line 3: 1/8" x 1/4" TPE Tubing;	1/4	Sterile	
F-PGFPA-500ML-3		Plain	PETG				
F-PCFPA-500ML-3		Plain	Polycarbonate				
F-PCFA-001L-3	1L	Baffled	Polycarbonate	Line 1: 1/8" x 1/4" TPE Tubing; 24" OAL w/ Male Luer Lock; Diptube Line 2: 1/8" x 1/4", 4" OAL w/ vent filter Line 3: 1/8" x 1/4" TPE Tubing; 24" OAL w/ MPC; Diptube	1/4	Sterile	
F-PGFPA-001L-3		Plain	PETG				
F-PCFPA-001L-3		Plain	Polycarbonate				



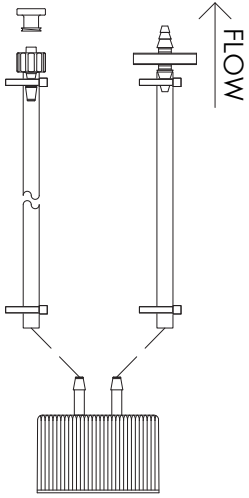


Figure 1

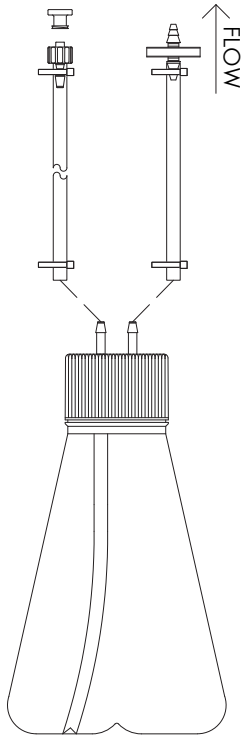


Figure 2

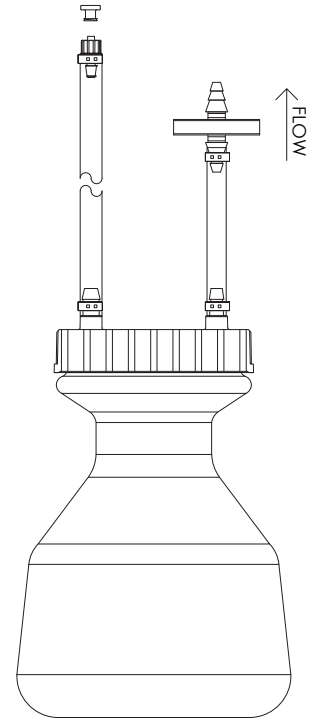


Figure 3

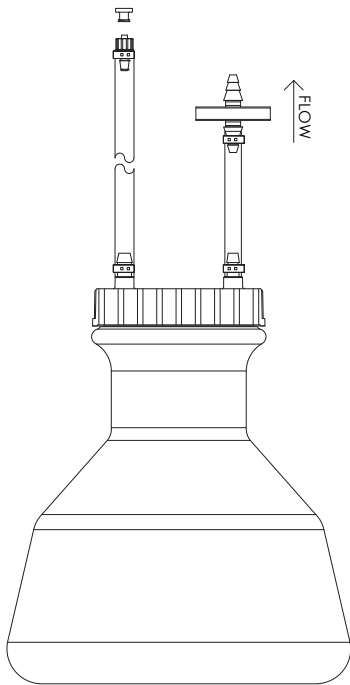


Figure 4

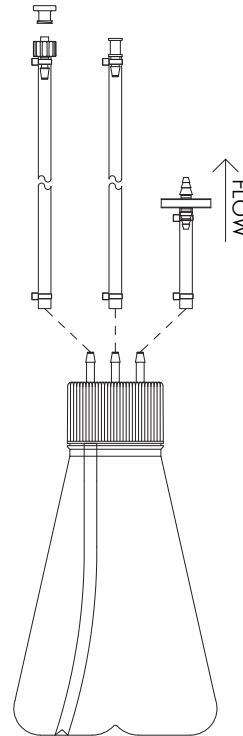


Figure 5

## SPECIFICATIONS:

- ☑ Manufactured in an ISO 7 Cleanroom

---

- ☑ ISO 9001:2015 Certified Facility

---

- ♥ USP Class VI and Animal Component Free

---

- ⊕ Available with pH and DO Optical Sensors

---

- 📦 Available in 1L, 2L, 10L, 20L and 50L sizes

---

- ⬆️ Optimized for cell lines that have Irgafos™ antioxidant sensitivity

---

- 🛡️ Sterility Assurance Level  $10^{-6}$  per ISO 11137



## BAG FILM REGULATORY OVERVIEW

### Material of Construction

ULDPE Fluid Contact Layer

### Biocompatibility

USP <85>, Bacterial Endotoxin

USP <88>, Biological Reactivity Tests, Class VI, In Vivo

USP <87>, Biological Reactivity Tests, In Vitro

ISO 10993-4, Hemolysis

ISO 10993-5, Cytotoxicity

ISO 10993-6, Implantation

ISO 10993-10, Irritation and Sensitization

ISO 10993-11, Systemic Toxicity

### Physicochemical

USP <661>, Plastic Packaging Systems

EP 3.2.2.1, Plastic Containers for Aqueous Solutions for Infusion

### Extractables

Per BPOG Protocol

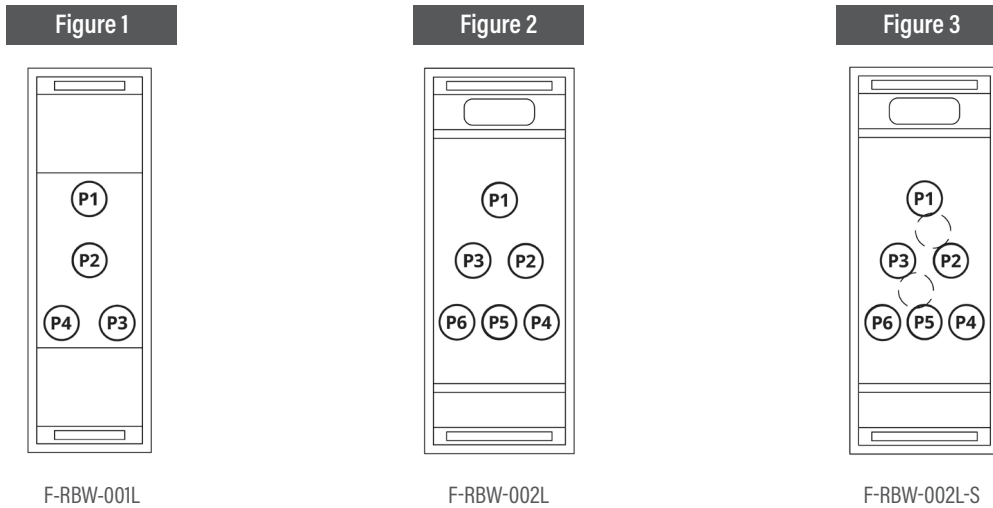


FIGURE 1

PART NUMBER	CAPACITY	VERSION	PORTS	DESCRIPTION	PORTS	DESCRIPTION
F-RBW-001L	1L	Basic	1	Air Inlet Filter	3	1/4" x 7/16" TPE, 40" OAL with female MPC
			2	Air Outlet Filter, Check Valve	4	1/4" x 3/8" Silicone, Needless Sampling

FIGURE 2

PART NUMBER	CAPACITY	VERSION	PORTS	DESCRIPTION	PORTS	DESCRIPTION
F-RBW-002L	2L	Basic	1	1/8" x 1/4" TPE, 40" OAL with female luer	4	1/4" x 7/16" TPE, 40" OAL with female MPC
			2	Air Outlet Filter, Check Valve	5	1/4" x 3/8" Silicone, Needless Sampling
			3	Air Inlet Filter	6	1/4" x 7/16" TPE, 40" OAL with female luer

FIGURE 3

PART NUMBER	CAPACITY	VERSION	PORTS	DESCRIPTION	PORTS	DESCRIPTION
F-RBW-002L-S	2L	pH/DO Sensors	1	1/8" x 1/4" TPE, 40" OAL with female luer	4	1/4" x 7/16" TPE, 40" OAL with female MPC
			2	Air Outlet Filter, Check Valve	5	1/4" x 3/8" Silicone, Needless Sampling
			3	Air Inlet Filter	6	1/4" x 7/16" TPE, 40" OAL with female luer
			7	pH Optical Sensor	8	DO Optical Sensor

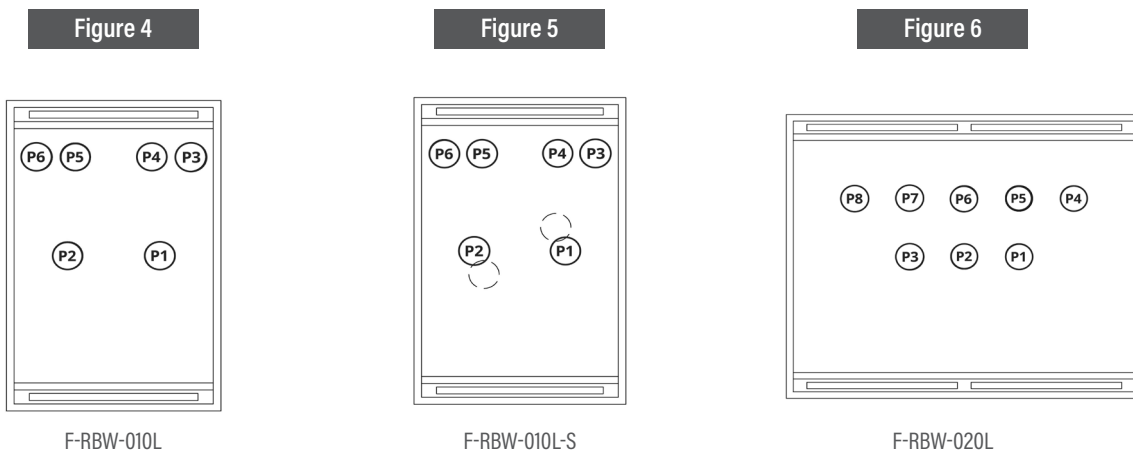


FIGURE 4

PART NUMBER	VERSION	PORTS	DESCRIPTION	PORTS	DESCRIPTION	
F-RBW-010L	10L	Basic	1	Air Inlet Filter	4	1/4" x 3/8" Silicone, Needless Sampling
			2	Air Outlet Filter, Check Valve	5	1/4" x 7/16" TPE, 40" OAL with female luer
			3	1/4" x 7/16" TPE, 40" OAL with female MPC	6	1/8" x 1/4" TPE, 40" OAL with female luer

FIGURE 5

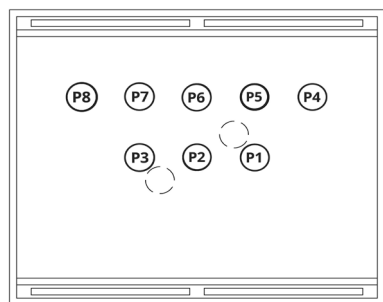
PART NUMBER	VERSION	PORTS	DESCRIPTION	PORTS	DESCRIPTION	
F-RBW-010L-S	10L	pH/DO Sensors	1	Air Inlet Filter	4	1/4" x 3/8" Silicone, Needless Sampling
			2	Air Outlet Filter, Check Valve	5	1/4" x 7/16" TPE, 40" OAL with female luer
			3	1/4" x 7/16" TPE, 40" OAL with female MPC	6	1/8" x 1/4" TPE, 40" OAL with female luer
			7	pH Optical Sensor	8	DO Optical Sensor

FIGURE 6

PART NUMBER	VERSION	PORTS	DESCRIPTION	PORTS	DESCRIPTION	
F-RBW-020L	20L	Basic	1	Air Inlet Filter	4	1/4" x 7/16" TPE, 40" OAL with female MPC
			2	Air Outlet Filter, Check Valve	5	3/8" x 5/8" TPE, 40" OAL with female MPC
			3	1/4" x 7/16" TPE, 40" OAL with female luer	6	1/4" x 7/16" TPE, 40" OAL with female luer
			7	1/4" x 7/16" TPE, 40" OAL with female luer	8	1/8" x 1/4" TPE, 40" OAL with female luer

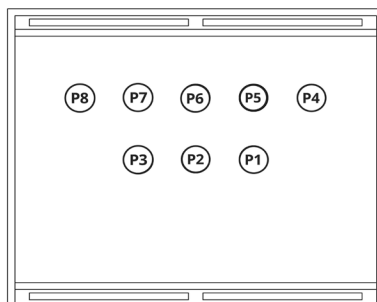


Figure 7



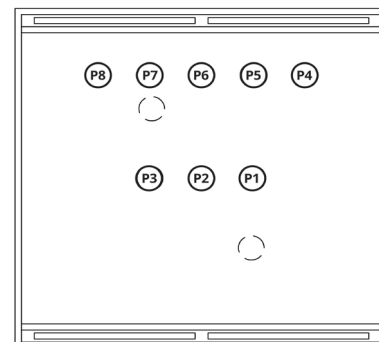
F-RBW-020L-S

Figure 8



F-RBW-050L

Figure 9



F-RBW-050L-S

FIGURE 7

PART NUMBER	VERSION	PORTS	DESCRIPTION	PORTS	DESCRIPTION	
F-RBW-020L-S	20L	pH/DO Sensors	1	Air Inlet Filter	4	1/4" x 7/16" TPE, 40" OAL with female MPC
			2	Air Outlet Filter, Check Valve	5	3/8" x 5/8" TPE, 40" OAL with female MPC
			3	1/4" x 7/16" TPE, 40" OAL with female luer	6	1/4" x 7/16" TPE, 40" OAL with female luer
			7	1/4" x 7/16" TPE, 40" OAL with female luer	8	1/8" x 1/4" TPE, 40" OAL with female luer
			9	pH Optical Sensor	10	DO Optical Sensor

FIGURE 8

PART NUMBER	VERSION	PORTS	DESCRIPTION	PORTS	DESCRIPTION	
F-RBW-050L	50L	Basic	1	Air Inlet Filter	4	1/4" x 7/16" TPE, 40" OAL with female MPC
			2	Air Outlet Filter, Check Valve	5	3/8" x 5/8" TPE, 40" OAL with female MPC
			3	1/4" x 7/16" TPE, 40" OAL with female luer	6	1/4" x 7/16" TPE, 40" OAL with female luer
			7	1/4" x 7/16" TPE, 40" OAL with female luer	8	1/8" x 1/4" TPE, 40" OAL with female luer

FIGURE 9

PART NUMBER	VERSION	PORTS	DESCRIPTION	PORTS	DESCRIPTION	
F-RBW-050L-S	50L	pH/DO Sensors	1	Air Inlet Filter	4	1/4" x 7/16" TPE, 40" OAL with female MPC
			2	Air Outlet Filter, Check Valve	5	3/8" x 5/8" TPE, 40" OAL with female MPC
			3	1/4" x 7/16" TPE, 40" OAL with female luer	6	1/4" x 7/16" TPE, 40" OAL with female luer
			7	1/4" x 7/16" TPE, 40" OAL with female luer	8	1/8" x 1/4" TPE, 40" OAL with female luer
			9	pH Optical Sensor	10	DO Optical Sensor



## PETG BOTTLE SPECIFICATIONS:

- Manufactured in an ISO 7 Cleanroom
- ISO 9001:2015 Certified Facility
- USP Class VI and Animal Component Free
- Non-Pyrogenic and DNase/RNase Free
- Sterilizable by Gamma Irradiation
- Available with Sterility Assurance Level  $10^{-6}$  per ISO 11137

## PET BOTTLE SPECIFICATIONS:

- Manufactured in an ISO 7 Cleanroom
- ISO 9001:2015 Certified Facility
- USP Class VI and Animal Component Free
- Non-Pyrogenic and DNase/RNase Free
- Sterilizable by Gamma Irradiation
- Available with Sterility Assurance level  $10^{-6}$  per ISO 11137

## PETG/PET BOTTLE REGULATORY OVERVIEW

### Material of Construction

PETG or PET

### Biocompatibility

USP <85>, Bacterial Endotoxin

USP <87>, Biological Reactivity Tests, Cytotoxicity, In Vitro

USP <88>, Biological Reactivity Tests, Class VI, In Vivo

ISO 10993-4, Hemolysis

ISO 10993-5, Cytotoxicity

ISO 10993-6, Implantation

ISO 10993-10, Irritation and Sensitization

ISO 10993-11, Systemic Toxicity

### Physiochemical

USP <661>, Plastic Packaging Systems

### Particulate

USP <788>, Particulate Matter in Injections

### Legislation

REACH

RoHS

### Shelf Life

3 Years, Non-Sterile/Non-Irradiated

## MEDIA BOTTLES:

PART NUMBER	VOLUME	BOTTLE MATERIAL	QTY PER PACK/CASE	STERILITY CLAIM
F-PGB-060ML-G	60mL	PETG	24/192	Sterile
F-PGB-060ML			24/192	Non-Sterile
F-PGB-125ML-G	125 mL	PETG	24/96	Sterile
F-PTB-125ML-G		PET		
F-PGB-125ML	125 mL	PETG	24/96	Non-Sterile
F-PTB-125ML		PET		
F-PGB-250ML-G	250 mL	PETG	30/60	Sterile
F-PTB-250ML-G		PET	56/224	
F-PGB-250ML	250 mL	PETG	30/60	Non-Sterile
F-PTB-250ML		PET	56/224	
F-PGB-500ML-G	500 mL	PETG	24/48	Sterile
F-PTB-500ML-G		PET	40/80	
F-PGB-500ML	500 mL	PETG	24/48	Non-Sterile
F-PTB-500ML		PET	40/80	
F-PGB-001L-G	1 L	PETG	12/24	Sterile
F-PTB-001L-G		PET	20/40	
F-PGB-001L	1 L	PETG	12/24	Non-Sterile
F-PTB-001L		PET	20/40	

## MEDIA BOTTLE CAPS:

PART NUMBER	DESCRIPTION	CAP MATERIAL	HOSE BARB ID	CLOSURE SIZE	PACK SIZE
F-MBC-2B	2 Port Cap	Polypropylene	(2) - 1/8"	125mL/250mL/500mL/1L Media Bottle	12
F-MBC-3B	3 Port Cap	Polypropylene	(3) - 1/8"	125mL/250mL/500mL/1L Media Bottle	12



### MEDIA BOTTLE ASSEMBLY WITH 2 PORT CAP:

PART NUMBER	VOLUME	BOTTLE MATERIAL	CONFIGURATION	QTY PER PACK/CASE	STERILITY CLAIM	FIGURE DETAILS
F-PGBA-125ML-2	125mL	PETG	Line 1: 1/8" x 1/4" TPE Tubing; 24" OAL w/ MPC; Diptube Line 2: 1/8" x 1/4", 4" OAL w/ vent filter	1/6	Sterile	Figure 1
F-PTBA-125ML-2		PET				
F-PGBA-250ML-2	250ml	PETG	Line 1: 1/8" x 1/4" TPE Tubing; 24" OAL w/ MPC; Diptube Line 2: 1/8" x 1/4", 4" OAL w/ vent filter	1/6	Sterile	
F-PTBA-250ML-2		PET				
F-PGBA-500ML-2	500mL	PETG	Line 1: 1/8" x 1/4" TPE Tubing; 24" OAL w/ MPC; Diptube Line 2: 1/8" x 1/4", 4" OAL w/ vent filter	1/6	Sterile	
F-PTBA-500ML-2		PET				
F-PGBA-001L-2	1L	PETG	Line 1: 1/8" x 1/4" TPE Tubing; 24" OAL w/ MPC; Diptube Line 2: 1/8" x 1/4", 4" OAL w/ vent filter	1/6	Sterile	
F-PTBA-001L-2		PET				

### MEDIA BOTTLE ASSEMBLY WITH 3 PORT CAP:

PART NUMBER	VOLUME	BOTTLE MATERIAL	CONFIGURATION	QTY PER PACK/CASE	STERILITY CLAIM	FIGURE DETAILS
F-PGBA-125ML-3	125mL	PETG	Line 1: 1/8" x 1/4" TPE Tubing; 24" OAL w/ MPC ; Diptube Line 2: 1/8" x 1/4", 4" OAL w/ vent filter Line 3: 1/8" x 1/4" TPE Tubing; 24" OAL w/ MPC; Diptube	1/6	Sterile	Figure 2
F-PTBA-125ML-3		PET				
F-PGBA-250ML-3	250ml	PETG	Line 1: 1/8" x 1/4" TPE Tubing; 24" OAL w/ MPC ; Diptube Line 2: 1/8" x 1/4", 4" OAL w/ vent filter Line 3: 1/8" x 1/4" TPE Tubing; 24" OAL w/ MPC; Diptube	1/6	Sterile	
F-PTBA-250ML-3		PET				
F-PGBA-500ML-3	500mL	PETG	Line 1: 1/8" x 1/4" TPE Tubing; 24" OAL w/ MPC ; Diptube Line 2: 1/8" x 1/4", 4" OAL w/ vent filter Line 3: 1/8" x 1/4" TPE Tubing; 24" OAL w/ MPC; Diptube	1/6	Sterile	
F-PTBA-500ML-3		PET				
F-PGBA-001L-3	1L	PETG	Line 1: 1/8" x 1/4" TPE Tubing; 24" OAL w/ MPC ; Diptube Line 2: 1/8" x 1/4", 4" OAL w/ vent filter Line 3: 1/8" x 1/4" TPE Tubing; 24" OAL w/ MPC; Diptube	1/6	Sterile	
F-PTBA-001L-3		PET				

Figure 1

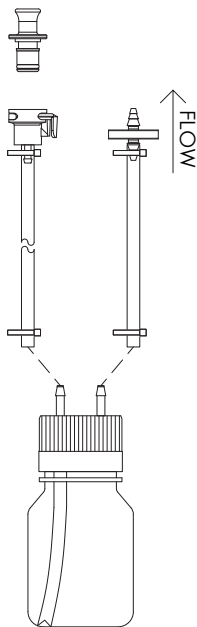
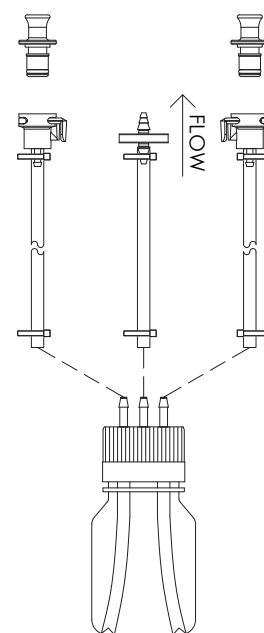


Figure 2



## DESCRIPTION:

FlowLinX™ 2D bio bag assemblies are designed for aseptic fluid handling in upstream and downstream processing, such as sampling, buffer and media storage, and chromatography. The bag chamber design allows for easy product recovery with minimal product hold up. Made from USP Class VI components, FlowLinX™ 2D bio bag assemblies are available from 50mL to 100L volumes in 3-port and 4-port configurations with silicone and TPE tubing. Choose from standard configurations or customize to your requirements.



## SPECIFICATIONS:

- ☑ Manufactured in an ISO 7 Cleanroom
- 🛡 ISO 9001:2015 Certified Facility
- ❤ USP <88> Class VI & Animal Component Free
- 🔗 Aseptically connect using AseptiQuik® or TPE tube welder
- 🔗 Aseptically disconnect using TPE tube sealer
- 📦 Double bagged and ready to use
- 🌸 Sterility assurance level  $10^{-6}$  per ISO 11137



Figure 1

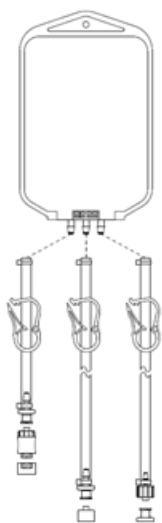


Figure 2

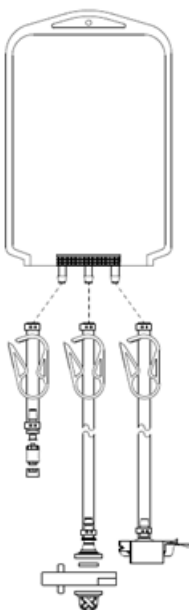


Figure 3

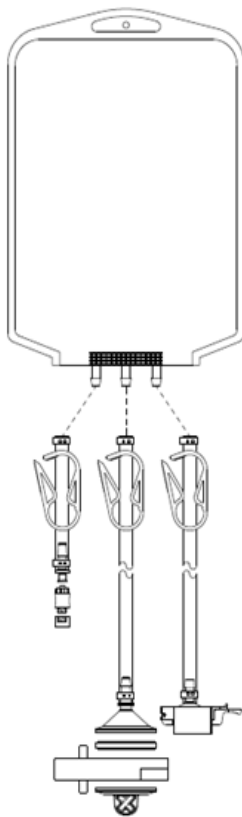
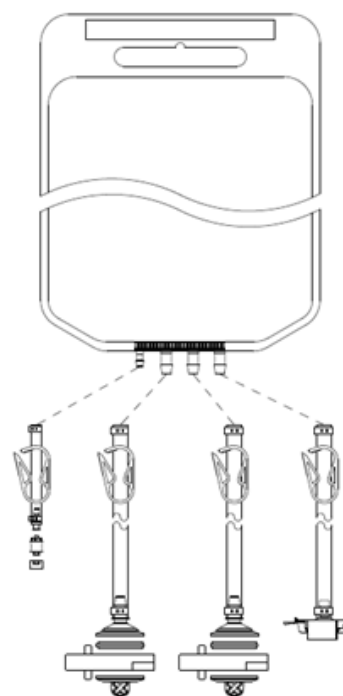


Figure 4



## BAG FILM REGULATORY OVERVIEW:

### Material of Construction

ULDPE Fluid Contact Layer

### Biocompatibility

USP <85>, Bacterial Endotoxin

USP <88>, Biological Ractivity Tests, Class VI, In Vivo

USP <87>, Biological Teactivity Test, In Vitro

ISO 10993-4, Hemolysis

ISO 10993-5, Cytotoxicity

ISO 10993-6, Implantation

ISO 10993-10, Irritation and Sensitization

ISO 10993-11, Systemic Toxicity

### Physiochemical

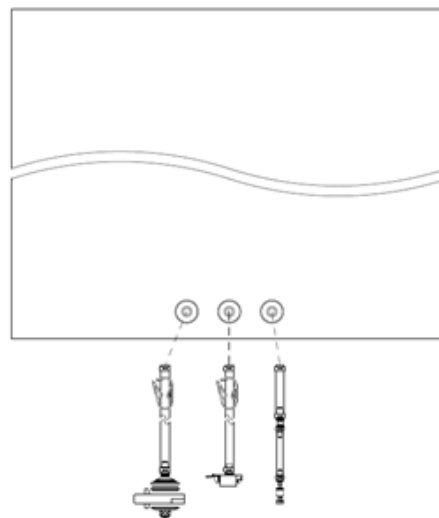
USP <661>, Plastic Packaging Systems

EP 3.2.2.1, Plastic Containers for Aqueous Solutions for Infusion

### Extractables

Per BPOG Protocol

Figure 5



# 2D BIO BAG ASSEMBLIES

PART NUMBER	VOLUME	TUBING	CONFIGURATION	QTY	FIGURE DETAILS
F-2DBA-050ML-SIL	50 mL	Platinum Cured Silicone	Line 1: 1/8" x 1/4", 12" OAL with male luer Line 2: 1/8" x 1/4" 12" OAL with female luer Line 3: 1/8" x 1/4", 4" OAL with needle-free luer sampling valve	Each	Figure 1
F-2DBA-100ML-SIL	100 mL				
F-2DBA-250ML-SIL	250 mL				
F-2DBA-500ML-SIL	500 mL	Platinum Cured Silicone	Line 1: 1/4" x 1/2", 12" OAL with AseptiQuik® G Line 2: 1/4" x 1/2", 12" OAL with mini TC Line 3: 1/4" x 1/2", 4" OAL with needle-free luer sampling valve	Each	Figure 2
F-2DBA-001L-SIL	1 L	Platinum Cured Silicone	Line 1: 1/4" x 1/2", 12" OAL with AseptiQuik® G Line 2: 1/4" x 1/2", 12" OAL with maxi TC Line 3: 1/4" x 1/2", 4" OAL with needle-free luer sampling valve	Each	Figure 3
F-2DBA-002L-SIL	2 L				
F-2DBA-003L-SIL	3 L				
F-2DBA-005L-SIL	5 L	Platinum Cured Silicone	Line 1: 3/8" x 5/8", 12" OAL with AseptiQuik® G Line 2: 3/8" x 5/8", 12" OAL with maxi TC Line 3: 3/8" x 5/8", 12" OAL with maxi TC Line 4: 1/4" x 1/2", 4" OAL with needle-free luer sampling valve	Each	Figure 4
F-2DBA-010L-SIL	10 L				
F-2DBA-020L-SIL	20 L				
F-2DBA-030L-SIL	30 L				
F-2DBA-050L-SIL	50 L				
F-2DBA-100L-SIL	100 mL	Platinum Cured Silicone	Line 1: 3/8" x 5/8", 12" OAL with maxi TC Line 2: 3/8" x 5/8", 12" OAL with AseptiQuik® G Line 3: 1/4" x 1/2", 8" OAL with needle-free luer sampling valve	Each	Figure 5
F-2DBA-050ML-TPE	50 mL	TPE	Line 1: 1/8" x 1/4", 12" OAL with male luer Line 2: 1/8" x 1/4" 12" OAL with female luer Line 3: 1/8" x 1/4", 4" OAL with needle-free luer sampling valve	Each	Figure 1
F-2DBA-100ML-TPE	100 mL				
F-2DBA-250ML-TPE	250 mL				
F-2DBA-500ML-TPE	500 mL	TPE	Line 1: 1/4" x 1/2", 12" OAL with AseptiQuik® G Line 2: 1/4" x 1/2", 12" OAL with mini TC Line 3: 1/4" x 1/2", 4" OAL with needle-free luer sampling valve	Each	Figure 2
F-2DBA-001L-TPE	1 L	TPE	Line 1: 1/4" x 1/2", 12" OAL with AseptiQuik® G Line 2: 1/4" x 1/2", 12" OAL with maxi TC Line 3: 1/4" x 1/2", 4" OAL with needle-free luer sampling valve	Each	Figure 3
F-2DBA-002L-TPE	2 L				
F-2DBA-003L-TPE	3 L				
F-2DBA-005L-TPE	5 L	TPE	Line 1: 3/8" x 5/8", 12" OAL with AseptiQuik® G Line 2: 3/8" x 5/8", 12" OAL with maxi TC Line 3: 3/8" x 5/8", 12" OAL with maxi TC Line 4: 1/4" x 1/2", 4" OAL with needle-free luer sampling valve	Each	Figure 4
F-2DBA-010L-TPE	10 L				
F-2DBA-020L-TPE	20 L				
F-2DBA-030L-TPE	30 L				
F-2DBA-050L-TPE	50 L				
F-2DBA-100L-TPE	100 L	TPE	Line 1: 3/8" x 5/8", 12" OAL with maxi TC Line 2: 3/8" x 5/8", 12" OAL with AseptiQuik® G Line 3: 1/4" x 1/2", 8" OAL with needle-free luer sampling valve	Each	Figure 5

