

3D BIO BAG ASSEMBLIES

When a single drop of fluid can make the difference in someone's health, you need smart fluid handling solutions that get the job done safely. Manufacturers worldwide rely on connector products that improve yield, cut costs and reduce time to market.

PART NUMBERS:
(SEE PAGE 3 FOR FULL DETAILS)

- ◆ F-3DBA-(XXX)L-SIL
- ◆ F-3DBA-(XXX)L-TPE

DESCRIPTION:

FlowLinX 3D bio bag assemblies are designed for aseptic fluid handling in upstream and downstream processing, such as buffers and media, chromatography feed and collection, and bulk drug product storage and transport. The bag chamber design allows for easy product recovery with minimal product hold up. Made from USP Class VI components, FlowLinX 3D bio bag assemblies are available from 50 L to 3000 L volumes in 3-port configurations with silicone and TPE tubing. Choose from standard configurations or customize to your requirements.



- ☑ Manufactured in an ISO 7 cleanroom
- 🛡 ISO 9001:2015 certified facility
- ❤ Fluid path components meet USP <88> Class VI & animal component free
- 🔗 Superb physical strength and excellent biocompatibility
- 🧪 Standard bags with needle free sampling port
- 🔗 Aseptically connect using AseptiQuik® or TPE tube welder
- 🔗 Aseptically disconnect using TPE tube sealer
- 🌀 Each bag assembly is double bagged and ready to use
- 🌀 Sterility assurance level 10⁻⁶ per ISO 11137



3D BIO BAG ASSEMBLIES

Figure 1

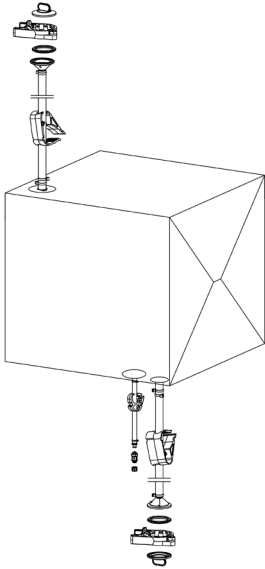


Figure 2

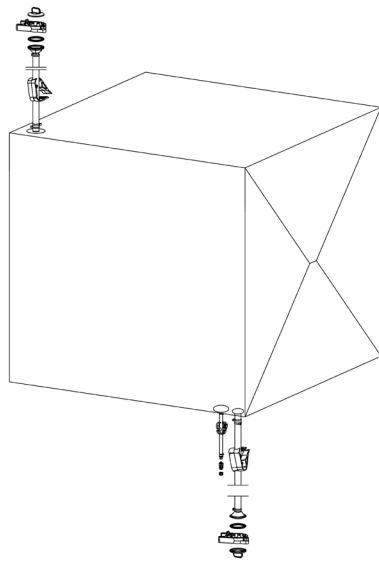
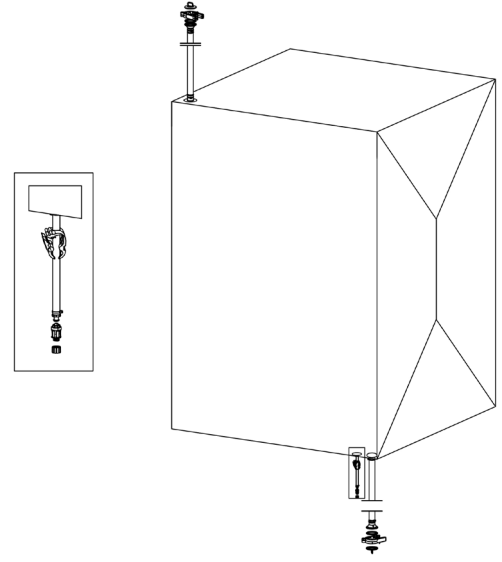


Figure 3



BAG FILM REGULATORY OVERVIEW:

Material of Construction

ULDPE Fluid Contact Layer

Biocompatibility

USP <85>, Bacterial Endotoxin

USP <88>, Biological Ractivity Tests, Class VI, In Vivo

USP <87>, Biological Teactivity Test, In Vitro

ISO 10993-4, Hemolysis

ISO 10993-5, Cytotoxicity

ISO 10993-6, Implantation

ISO 10993-10, Irritation and Sensitization

ISO 10993-11, Systemic Toxicity

Physiochemical

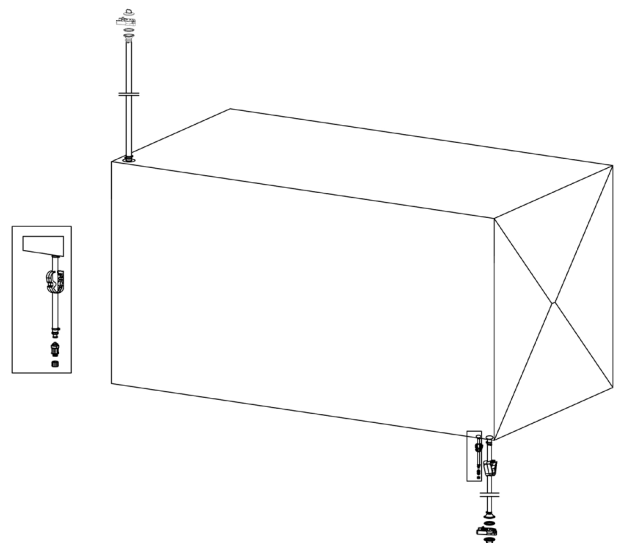
USP <661>, Plastic Packaging Systems

EP 3.2.2.1, Plastic Containers for Aqueous Solutions for Infusion

Extractables

Per BPOG Protocol

Figure 4



3D BIO BAG ASSEMBLIES

PART NUMBER	VOLUME	TUBING	CONFIGURATION	QTY	FIGURE DETAILS
F-3DBA-0050L-SIL	50 L	Platinum Cured Silicone	Upper Inlet: 3/8" x 5/8", 60" OAL with 1.5" sanitary connector and clamp	Each	Figure 1
F-3DBA-0100L-SIL	100 L		Bottom Outlet: 3/8" x 5/8", 60" OAL with 1.5" sanitary connector and clamp		
F-3DBA-0200L-SIL	200 L		Sampling: 1/4" x 3/8", 6" OAL with needle-free luer sampling valve		
F-3DBA-0500L-SIL	500 mL	Platinum Cured Silicone	Upper Inlet: 1/2" x 3/4", 80" OAL with 1.5" sanitary connector and clamp Bottom Outlet: 1/2" x 3/4", 80" OAL with 1.5" sanitary connector and clamp Sampling: 1/4" x 3/8", 6" OAL with needle-free luer sampling valve	Each	Figure 2
F-3DBA-1000L-SIL	1000 L	Platinum Cured Silicone	Upper Inlet: 3/4" x 1", 96" OAL with 1.5" sanitary connector and clamp	Each	Figure 3
F-3DBA-1500L-SIL	1500 L		Bottom Outlet: 3/4" x 1", 96" OAL with 1.5" sanitary connector and clamp Sampling: 1/4" x 3/8", 6" OAL with needle-free luer sampling valve		
F-3DBA-2000L-SIL	2000 L	Platinum Cured Silicone	Upper Inlet: 3/4" x 1", 120" OAL with 1.5" sanitary connector and clamp	Each	Figure 4
F-3DBA-2500L-SIL	2500 L		Bottom Outlet: 3/4" x 1", 120" OAL with 1.5" sanitary connector and clamp		
F-3DBA-3000L-SIL	3000 L		Sampling: 1/4" x 3/8", 6" OAL with needle-free luer sampling valve		
F-3DBA-0050L-TPE	50 L	TPE	Upper Inlet: 3/8" x 5/8", 60" OAL with 1.5" sanitary connector and clamp	Each	Figure 1
F-3DBA-0100L-TPE	100 L		Bottom Outlet: 3/8" x 5/8", 60" OAL with 1.5" sanitary connector and clamp		
F-3DBA-0200L-TPE	200 L		Sampling: 1/4" x 3/8", 6" OAL with needle-free luer sampling valve		
F-3DBA-0500L-TPE	500 L	TPE	Upper Inlet: 1/2" x 3/4", 80" OAL with 1.5" sanitary connector and clamp Bottom Outlet: 1/2" x 3/4", 80" OAL with 1.5" sanitary connector and clamp Sampling: 1/4" x 3/8", 6" OAL with needle-free luer sampling valve	Each	Figure 2
F-3DBA-1000L-TPE	1000 L	TPE	Upper Inlet: 3/4" x 1", 96" OAL with 1.5" sanitary connector and clamp	Each	Figure 3
F-3DBA-1500L-TPE	1500 L		Bottom Outlet: 3/4" x 1", 96" OAL with 1.5" sanitary connector and clamp Sampling: 1/4" x 3/8", 6" OAL with needle-free luer sampling valve		
F-3DBA-2000L-TPE	2000 L	TPE	Upper Inlet: 3/4" x 1", 120" OAL with 1.5" sanitary connector and clamp	Each	Figure 4
F-3DBA-2500L-TPE	2500 L		Bottom Outlet: 3/4" x 1", 120" OAL with 1.5" sanitary connector and clamp		
F-3DBA-3000L-TPE	3000 L		Sampling: 1/4" x 3/8", 6" OAL with needle-free luer sampling valve		