

RELIABLE FLEXIBLE COMPATIBLE STERILE



# AseptiQuik™

*Sterile Connection as easy as  
Click–Pull–Twist*

# ASEPTIQUIK™ CONNECTOR



**AseptiQuik™ Connectors** provide quick and easy sterile connections, even in non-sterile environments. AseptiQuik's "CLICK-PULL-TWIST" design enables users to transfer media easily with less risk of operator error. The connector's robust design provides the highest level of reliability without the need for additional hardware. Biopharmaceutical manufacturers can make sterile connections with the quality and market availability they expect from the leader in single-use connection technology.

## Features

- CLICK-PULL-TWIST Design
- Membrane Pull Tabs
- Robust Construction
- Integrated Lock Ring
- Colder Click
- Market Availability

## Benefits

- Intuitive three step connection process reduces risk of operator error
- Ensure simultaneous and secure removal of both membranes
- Repeatable and reliable performance with no additional hardware required
- Secures final connection preventing disassembly
- Audible confirmation of completed assembly steps
- Open access through multiple supply chain partners

## AseptiQuik Specifications

**Pressure:** Up to 60 psi, 4.1 bar

**Temperature:**  
39°F to 104°F (4°C to 40°C)

**Typical Flow Rate:**  
Cv = 14.4 max

**Sterilization:**  
**Gamma:** Up to 50kGy irradiation  
**Autoclave:**

**Standard Version:**  
Up to 250°F (121°C) for 30 minutes  
**High Temp (HT) Version:**  
Up to 266°F (130°C) for 30 minutes

**Termination Sizes:**  
1/2" and 3/8" hose barbs and 3/4" sanitary

## Materials:

**Main Components:**  
Polycarbonate, USP Class VI, ADCF

**Caps:**  
Polypropylene (clear), USP Class VI, ADCF

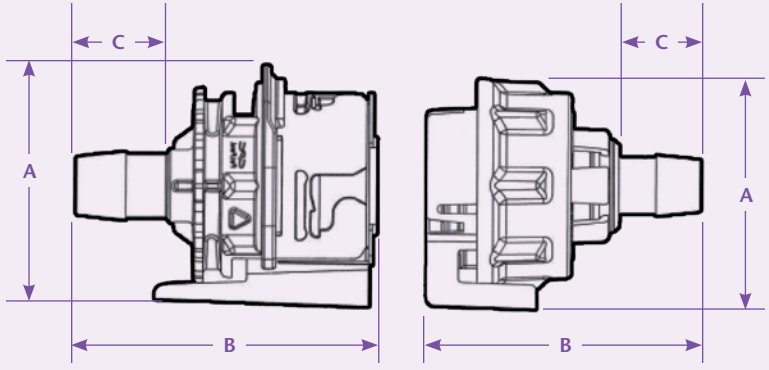
**Seals:**  
Silicone (clear), platinum-cured, USP Class VI, ADCF

**Membrane:**  
Polyethylene (standard version)  
Hydrophobic polyethersulfone (HT version)



Visit us at  
[www.colder.com/aseptiquik](http://www.colder.com/aseptiquik)  
or call 651-645-0091 for more  
information.

# Product Dimensions



A = Height/Diameter  
 B = Total Length  
 C = Hose Barb Length

## Coupling Bodies



### POLYCARBONATE with Blue Pull Tabs

TERMINATION	PART NO.	A	B	C
1/2" HOSE BARB	AQC17008	2.36 (59.9)	2.95 (74.9)	0.89 (22.6)
3/8" HOSE BARB	AQC17006	2.36 (59.9)	2.74 (69.6)	0.65 (16.5)
3/4" SANITARY	AQC33012	2.36 (59.9)	2.73 (69.3)	0.70 (17.8)

COMING SOON!  
 COMING SOON!

## Coupling Bodies - High Temperature



### POLYCARBONATE with White Pull Tabs

TERMINATION	PART NO.	A	B	C
1/2" HOSE BARB	AQC17008HT	2.36 (59.9)	2.95 (74.9)	0.89 (22.6)
3/8" HOSE BARB	AQC17006HT	2.36 (59.9)	2.74 (69.6)	0.65 (16.5)
3/4" SANITARY	AQC33012HT	2.36 (59.9)	2.73 (69.3)	0.70 (17.8)

COMING SOON!  
 COMING SOON!  
 COMING SOON!

## Coupling Inserts



### POLYCARBONATE with Blue Pull Tabs

TERMINATION	PART NO.	A	B	C
1/2" HOSE BARB	AQC22008	2.50 (63.5)	2.99 (75.9)	0.89 (22.6)
3/8" HOSE BARB	AQC22006	2.50 (63.5)	2.90 (73.7)	0.65 (16.5)
3/4" SANITARY	AQC44012	2.50 (63.5)	2.80 (71.1)	0.70 (17.8)

COMING SOON!  
 COMING SOON!

## Coupling Inserts - High Temperature

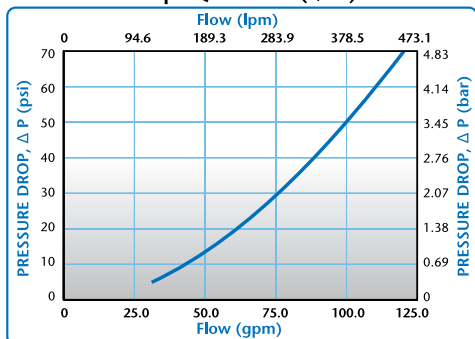


### POLYCARBONATE with White Pull Tabs

TERMINATION	PART NO.	A	B	C
1/2" HOSE BARB	AQC22008HT	2.50 (63.5)	2.99 (75.9)	0.89 (22.6)
3/8" HOSE BARB	AQC22006HT	2.50 (63.5)	2.90 (73.7)	0.65 (16.5)
3/4" SANITARY	AQC44012HT	2.50 (63.5)	2.80 (71.1)	0.70 (17.8)

COMING SOON!  
 COMING SOON!  
 COMING SOON!

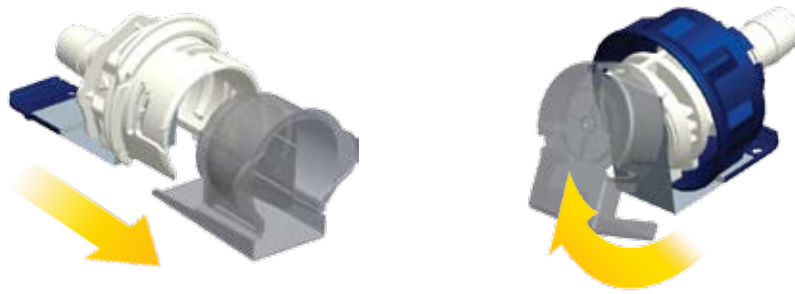
AseptiQuik Flow (1/2")



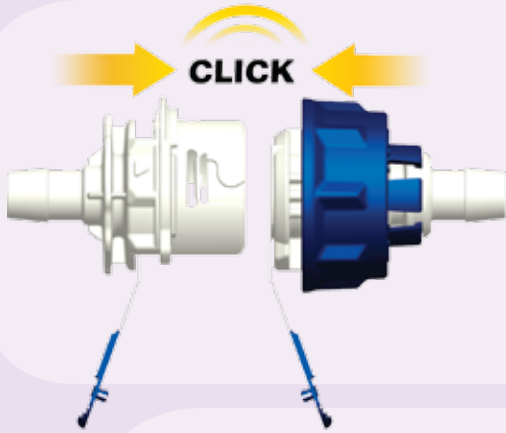
**CPC** | Call toll free 1-800-444-2474 or visit us at [www.colder.com](http://www.colder.com)

Copyright © 2009 by Colder Products Company. All rights reserved. Colder Products Company, Colder Products and CPC are registered trademarks with the US Patent & Trademark Office.

## Pre-Assembly Cap Removal



## CLICK-PULL-TWIST Assembly Procedure



Align male and female couplings, push together until audible *"Colder Click"* confirmation.

Slight rotation of lock ring may be required for proper alignment prior to connection.

Snap membrane pull tabs together and pull from connector.



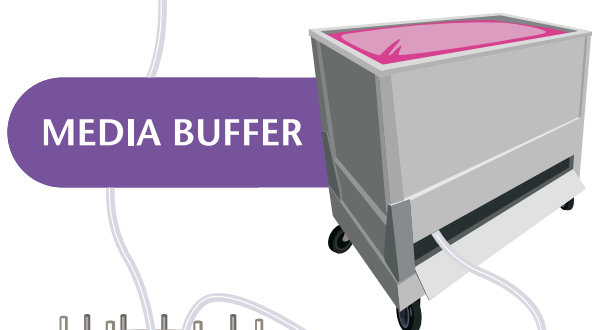
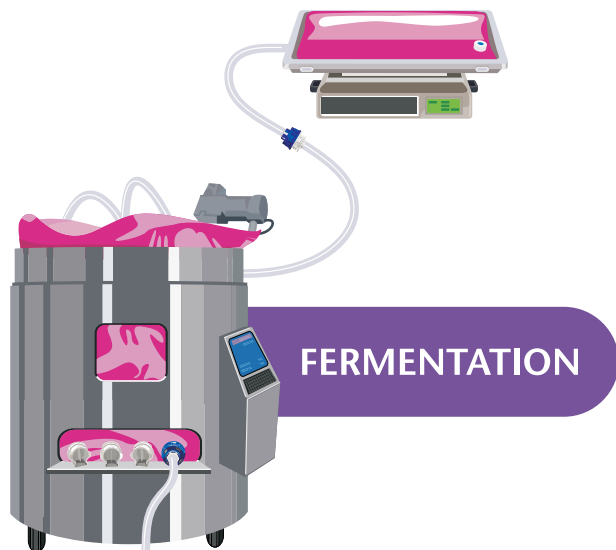
Twist the blue lock ring clockwise until audible *"Colder Click."* Alignment of the lock ring rib with the body's arrow indicator confirms final connection.



Connect with Colder  
Sterile Fluid Transfer



**AseptiQuik™** Connectors are ideal for a wide range of sterile fluid transfer applications which require a secure connection of two single-use assemblies. Pre-sterilized, gamma or autoclaved, AseptiQuik Connectors may be incorporated with filters, tubing and process containers to create systems that add flexibility throughout upstream or downstream processes. Whether in seed train applications, suite-to-suite transfer or filling operations, protect your valuable product with connection technology that provides sterile fluid transfer.





## COLDER PRODUCTS COMPANY

Colder Products Company is a leader in the design and manufacture of couplings and connectors for the life sciences markets. Colder technology has been used in the biotech industry for over fifteen years, initially on single-use media and buffer bags and more recently migrating from fermentation to downstream formulation and final fill. Our innovative solutions help biopharmaceutical manufacturers improve production yields, decrease time to market and reduce costs.

Single-use components minimize cross-contamination risks associated with reusable equipment. Incorporating single-use systems into production processes increases productivity through the reduction of system downtime associated with cleaning and cleaning validation. Reducing downtime of key processes allows manufacturers to increase output while also decreasing time to market. Single-use not only increases flexibility to allow rapid product or process changeover it also minimizes CIP requirements, reduces WFI demand and lowers start up and operational costs.

Colder's wide variety of bioprocessing products provides quick and easy connections between flexible bag systems, transfer lines, single-use bioreactors and other bioprocess equipment. Sterile connect and disconnect options provide flexibility in combining various single-use components and systems while maintaining product sterility. Furthermore, Steam-Thru® and SaniQuik™ connections ease the integration of single-use systems with existing stainless equipment. For applications where reliability and security are a must, Connect with Colder.

Founded in St. Paul, Minnesota in 1978, Colder offers more than 7,000 standard and custom products with direct sales and distribution representation in Asia, North America, Europe, Latin America and Australia.



**Colder Products Company**

A **DOVER** COMPANY

**Colder Products Company**  
1001 Westgate Drive  
St. Paul, Minnesota 55114  
U.S.A.

Phone: 651-645-0091  
Fax: 651-645-5404  
Toll Free: 800-444-2474  
info@colder.com  
[www.colder.com](http://www.colder.com)

**Colder Products Company GmbH**  
Schmalweg 50  
D-55252 Mainz-Kastel  
Germany

Phone: +49-6134-2878-0  
Fax: +49-6134-287828

cpcgmbh@colder.com  
[www.colder.com](http://www.colder.com)

**Colder Products Company Limited**  
Room 1503, 15/F, SBI Center  
54 – 58 Des Voeux Road Central  
Hong Kong

Phone: 852-2987-5272  
Fax: 852-2987-2509

asiapacific@colder.com  
[www.colder.com](http://www.colder.com)

*Distributed BY:*

**Colder Patent Statement:** Colder Products Company takes pride in its innovative quick disconnect coupling solutions, many of which have been awarded United States and International patents. Colder Products Company has a strong tradition of leadership in the quick disconnect market, and aggressively pursues and protects its proprietary information and intellectual property. In cases where it is practical and as a benefit to its customers, Colder Products Company has licensed its proprietary technology. Please contact Colder Products to discuss your unique needs.

**CPC Warranty Statement:** Colder Products Company warrants its products against defects in workmanship and materials a period of 12 months from the date of sale by Colder Products Company to its initial customer (regardless of any subsequent sale of the products). This warranty is void if the product is misused, altered, tampered with or is installed or used in a manner that is inconsistent with Colder Product Company's written recommendations, specifications and/or instructions, or fails to perform due to normal wear and tear. Colder Products Company does not warrant the suitability of the product for any particular application. Determining product application suitability is solely the customer's responsibility. Colder Products Company is not liable for special, indirect, incidental, consequential or other damages including, but not limited to, loss, damage, personal injury, or any other expense directly or indirectly arising from the use of or inability to use its products either separately or in combination with other products. ALL OTHER WARRANTIES EXPRESS OR IMPLIED, WHETHER ORAL, WRITTEN OR IN ANY OTHER FORM, INCLUDING BUT NOT LIMITED TO WARRANTIES OF MERCHANTABILITY OR FITNESS FOR A PARTICULAR PURPOSE, ARE EXPRESSLY EXCLUDED.

The sole and exclusive remedy under this warranty is limited, at the option of Colder Products Company, to replacement of the defective product or an account credit in the amount of the original selling price. All allegedly defective Colder Products Company products must be returned prepaid transportation to Colder Products Company, together with information describing the product's application and performance, unless otherwise authorized in writing by Colder Products Company.

**WARNING:** Due to the wide variety of possible fluid media and operating conditions, unintended consequences may result from the use of this product, all of which are beyond the control of Colder. It is the user's responsibility to carefully determine and test for compatibility for use with their application. All such risks shall be assumed by the buyer.