

DO NOT SCALE DRAWING

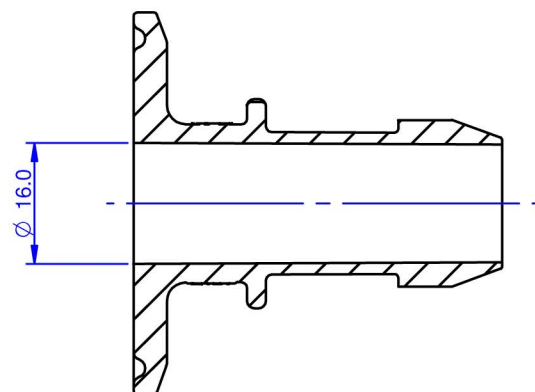
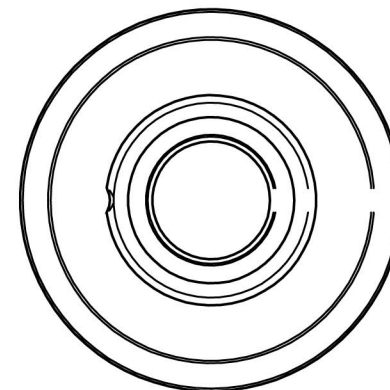
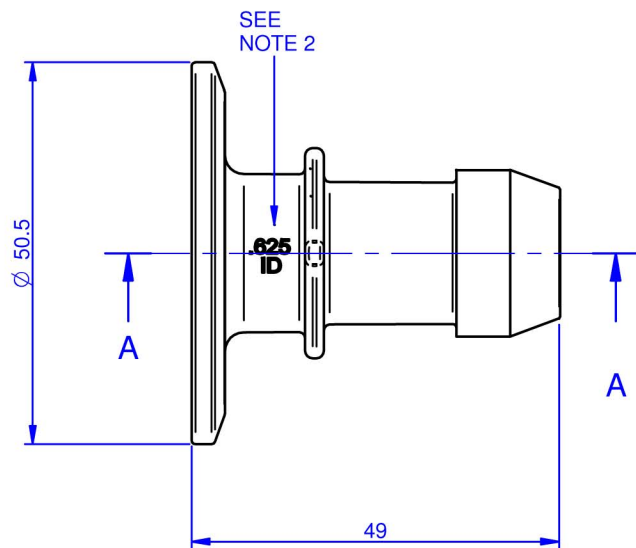
IF IN DOUBT - ASK

3rd ANGLE PROJECTION 

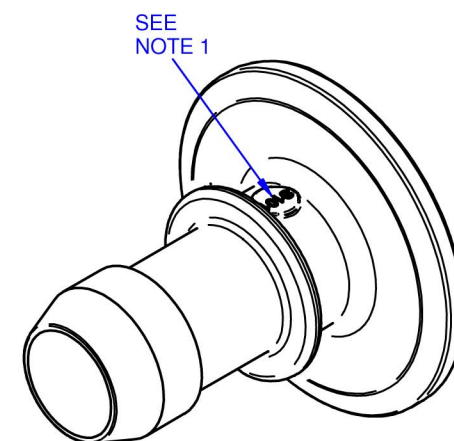
DRAWING NUMBER

PP100/150TC0625BB-CD

ISSUE	DESCRIPTION	DATE
B	RIBS REMOVED	22/10/07



SECTION A-A



## NOTES:

1. BATCH CODE TO BE MOULDED ON PART IN THIS AREA.
2. COMPONENT SIZE IDENTIFICATION TO MOULDED IN THIS POSITION.
3. NO FLASH OR IMPERFECTIONS PERMISSABLE ON FRONT EDGE OF BARB.
4. PART TO BE MANUFACTURED IN CLEANROOM ENVIRONMENT.
5. FLANGE DETAIL TO CONFORM TO RELEVANT ISO, BS & DIN STANDARDS

## © COPYRIGHT

This drawing and its associated design is the property of Bio-Pure Technology Ltd & may not be copied or used for any purpose other than that for which it is supplied, without the express written authority of Bio-Pure Technology Ltd

## DIMENSIONS IN MILLIMETERS

TOLERANCES UNLESS STATED  
 0 DEC PLACE +/- 0.5  
 1 DEC PLACE +/- 0.25  
 2 DEC PLACES +/- 0.10

ANGULAR +/- 0.5 DEG

## MATERIAL AND SPECIFICATION

PP Natural  
 Borealis HD810MO

## DRAWN BY

MJF

## DATE

22/10/07

## FINISH

CLEAN

## CHECKED BY

PJR

## APPROVED BY

RM

## SCALE

1:1



## BioPure Technology Ltd,

Unit M1, Hazleton Interchange,  
 Lakesmere Road, Horndean, PO8 9JU.  
 Tel: +44 (0) 2392 499000  
 Fax: +44 (0) 2392 499001  
 Email: sales@biopuretech.com  
 Web: www.biopuretech.com

## TITLE

BIOBARB  
 LARGE FLANGE x 0.625

## PART No:

PP100/150TC0625BB