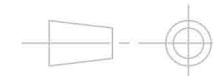
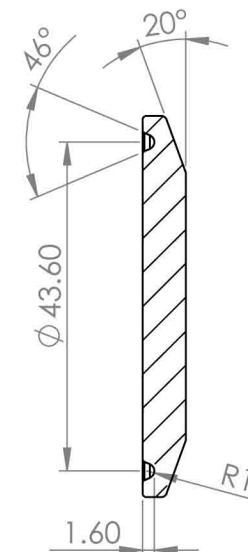
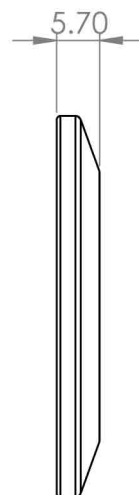
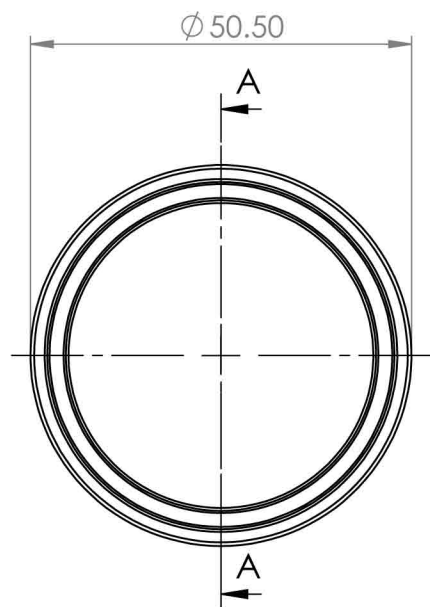


REVISIONS

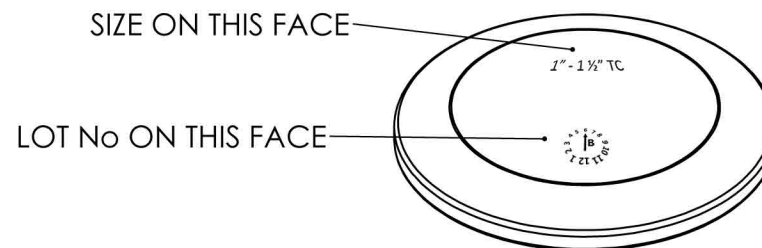
REV	DESCRIPTION	DATE	APP'D
A	FIRST ISSUE	10/12/12	



THIRD ANGLE PROJECTION  
DO NOT SCALE DRAWING



SECTION A-A



This drawing and associated designs are the property of Biopure Technology Ltd. and may not be copied or used for any purpose other than that for which they were supplied without the express written permission of:

**Biopure Technology Ltd**

Unit M1, Hazelton Interchange  
Lakesmere Road  
Horndean  
Hampshire  
PO8 9JU

Tel: +44 (0) 23 9249 9000  
Fax: +44 (0) 23 9249 9001

Email: sales@biopuretech.com  
Web: www.biopuretech.com

© COPYRIGHT

UNLESS OTHERWISE SPECIFIED:  
DIMENSIONS IN MM  
TOLERANCES:  
X: ±0.5 X.X: ±0.25 X.XX: ±0.1  
ANGULAR: ±1°

FINISH:

Smooth

TITLE:

1"-1 1/2" FLAT BIO END CAP

DWG NO:

PEC-100-150-FC

NAME

SIGNATURE

DATE

MATERIAL:

PART NO:

REV:

DRAWN

LT

10/12/12

Bormed HD810MO

PEC-100-150-FC

A

A4

CHK'D

JMc

10/12/12

WEIGHT:

SCALE: NTS

SHEET 1 OF 1