
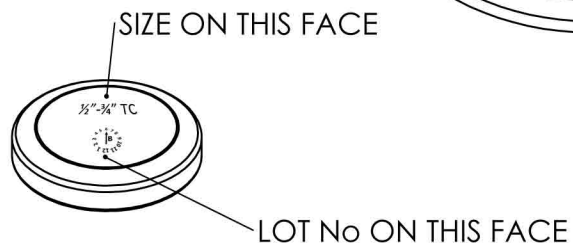
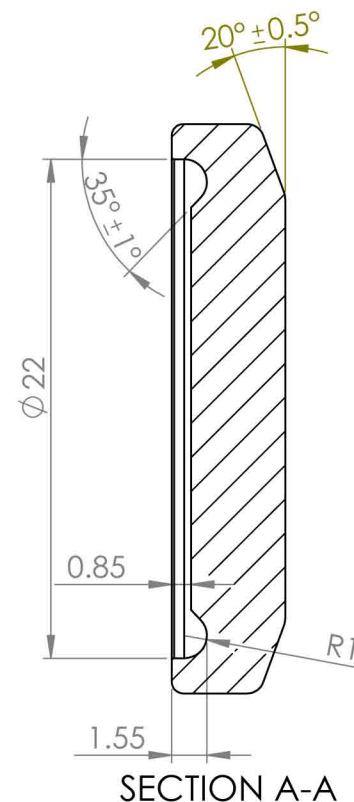
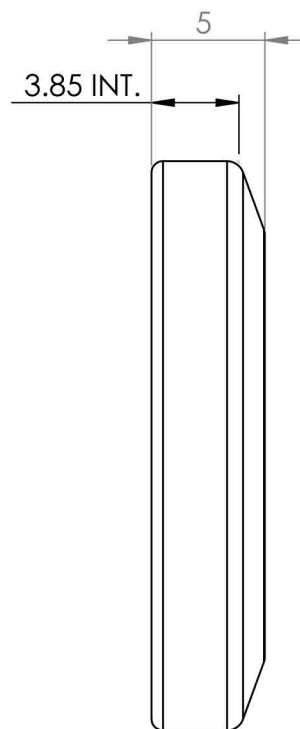
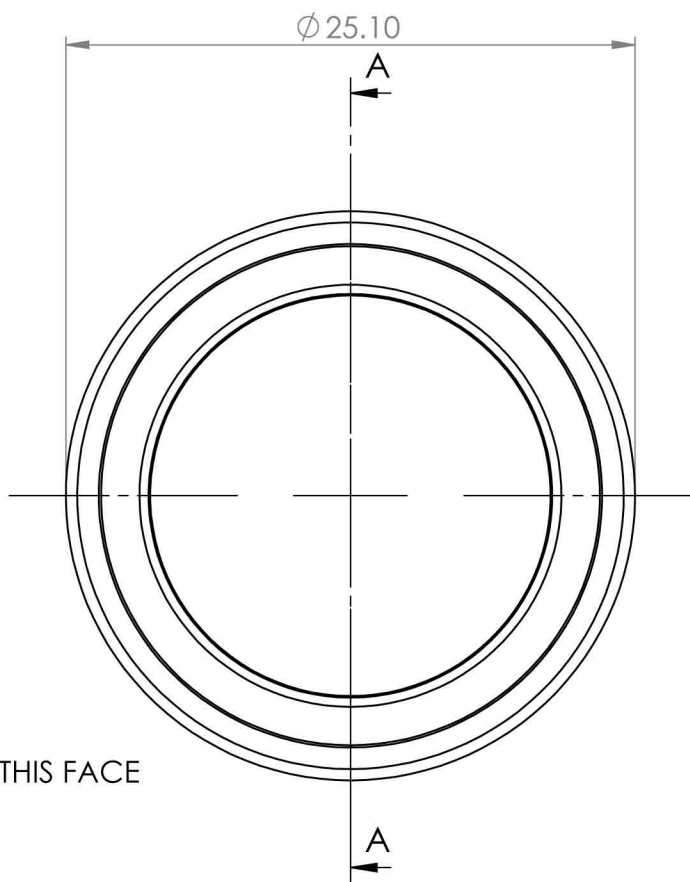


REVISIONS

REV	DESCRIPTION	DATE	APP'D
A	FIRST ISSUE	10/12/12	



THIRD ANGLE PROJECTION
DO NOT SCALE DRAWING



This drawing and associated designs are the property of Biopure Technology Ltd. and may not be copied or used for any purpose other than that for which they were supplied without the express written permission of:

Biopure Technology Ltd
Unit M1, Hazelton Interchange
Lakesmere Road
Horndean
Hampshire
PO8 9JU

Tel: +44 (0) 23 9249 9000
Fax: +44 (0) 23 9249 9001

Email: sales@biopuretech.com
Web: www.biopuretech.com

© COPYRIGHT

UNLESS OTHERWISE SPECIFIED: DIMENSIONS IN MM TOLERANCES: X: ± 0.5 X.X: ± 0.25 X.XX: ± 0.1				FINISH: Smooth		TITLE: 1/2" - 3/4" FLAT BIO END CAP	
						DWG NO: PEC-050-075-FC	
				MATERIAL: Borned HD810MO		PART NO: PEC-050-075-FC	
DRAWN: LT		SIGNATURE: <i>[Signature]</i>		DATE: 10/12/12		REV: A	
CHK'D: JMc		SIGNATURE: <i>[Signature]</i>		DATE: 10/12/12		SCALE: NTS	
						SHEET 1 OF 1	