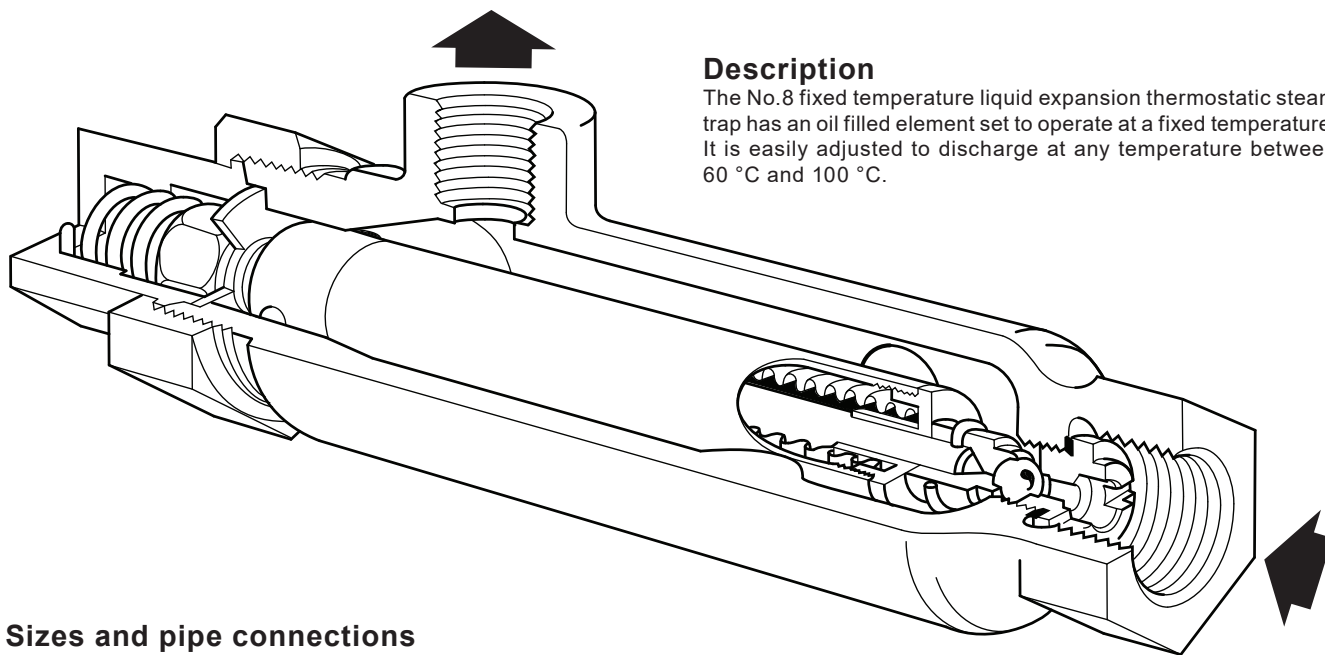




No.8 Fixed Temperature Liquid Expansion Steam Trap



Description

The No.8 fixed temperature liquid expansion thermostatic steam trap has an oil filled element set to operate at a fixed temperature. It is easily adjusted to discharge at any temperature between 60 °C and 100 °C.

Sizes and pipe connections

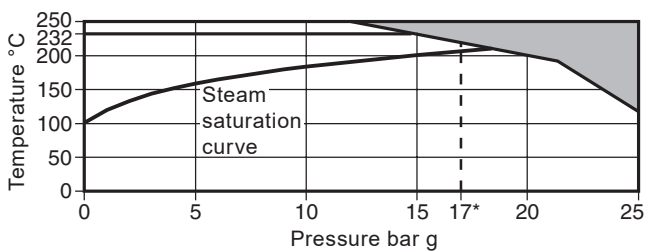
½" screwed BSP or NPT.

Certification

The product is available with certification to EN 10204 2.2.

Note: All certification/inspection requirements must be stated at the time of order placement.

Pressure temperature/limits

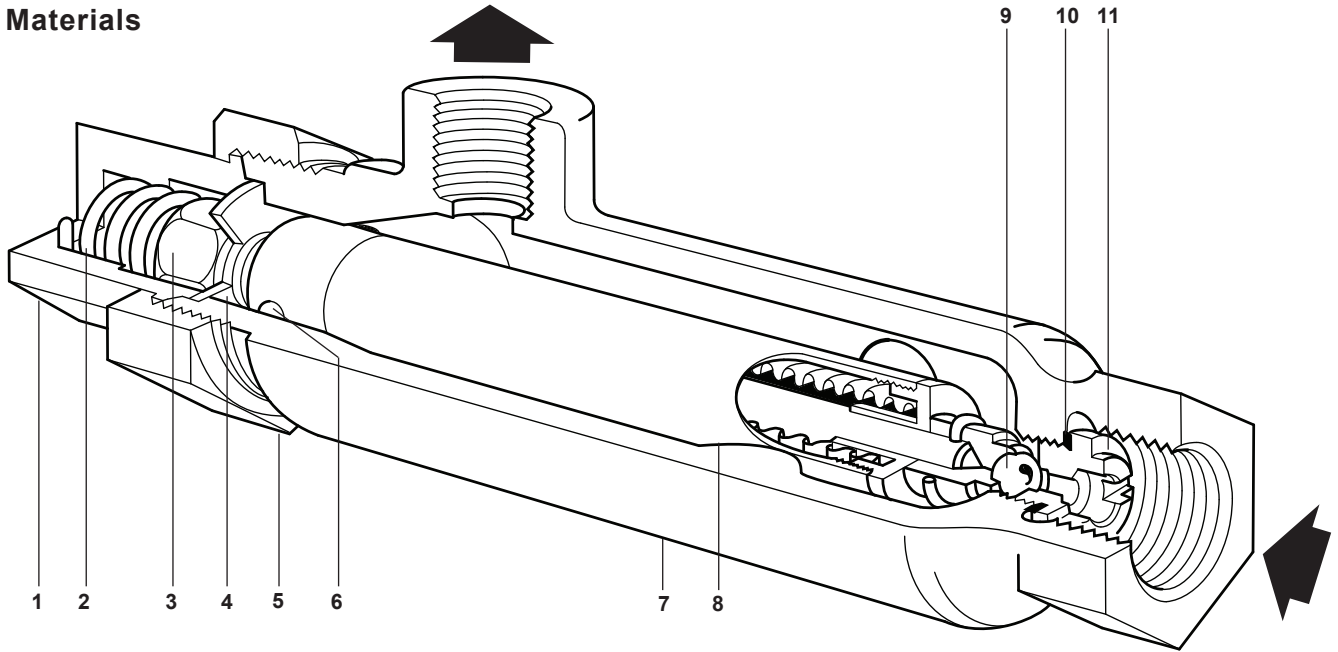


The product must not be used in this region.

*PMO Maximum operating pressure recommended for saturated steam (17 bar g)

Body design conditions	PN25
PMA Maximum allowable pressure	25 bar g
TMA Maximum allowable temperature	250 °C
PMO Maximum operating pressure	17 bar g
TMO Maximum operating temperature	232 °C
Designed for a maximum cold hydraulic test pressure of	38 bar g

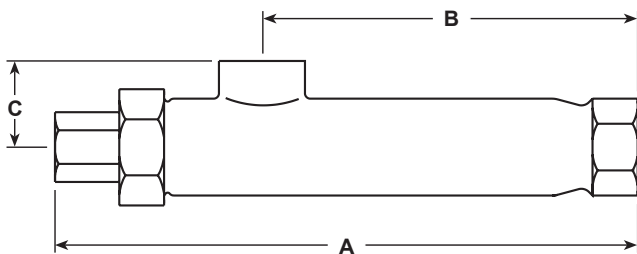
Materials



No.	Part	Material	
1	Adjustment nut	Brass	BS EN 12165 CW 617N
2	Overload spring	Stainless steel	BS 970 302 S31
3	Element nut	Brass	BS EN 12165 CW 617N
4	Washer	Brass	BS 2870 CZ 108
5	Adjustment lock-nut	Brass	BS EN 12165 CW 617N
6	Guide screw	Brass	BS 2872 CZ 108
7	Body	Gunmetal	BS EN CC 491K
8	Element	Brass	
9	Valve head	Stainless steel	AISI 440B
10	Valve seat gasket	Copper	BS 2870 C102
11	Valve seat	Stainless steel	BS 970 431 S29

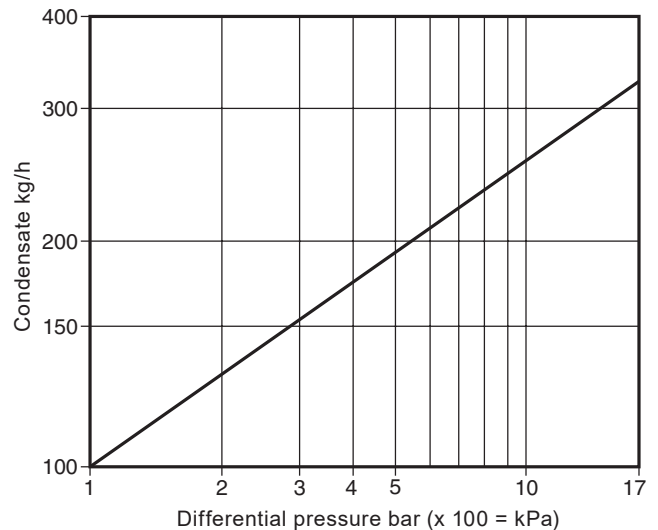
Dimensions/weights (approximate) in mm and kg

Size	A	B	C	Weight
1/2"	215	137	32	1.2



Capacities

The capacity graph shown is based on a trap with the adjustment 3 turns open and handling condensate at 80 °C.



Safety information, installation and maintenance

For full details see the Installation and Maintenance Instructions (IM-P018-02) supplied with the product.

The trap should be installed with the inlet below the equipment being drained. The outlet should always be above the trap.

Adjustment

The position of the valve head relative to the seat and, therefore, the operating temperature, can be altered by turning the adjustment which serves one end of the element.

How to order

Example: 1 off 1/2" BSP Spirax Sarco No.8 fixed temperature liquid expansion steam trap.

Spare parts

The spare parts available are shown in heavy outline. Parts drawn in a grey line are not supplied as spares.

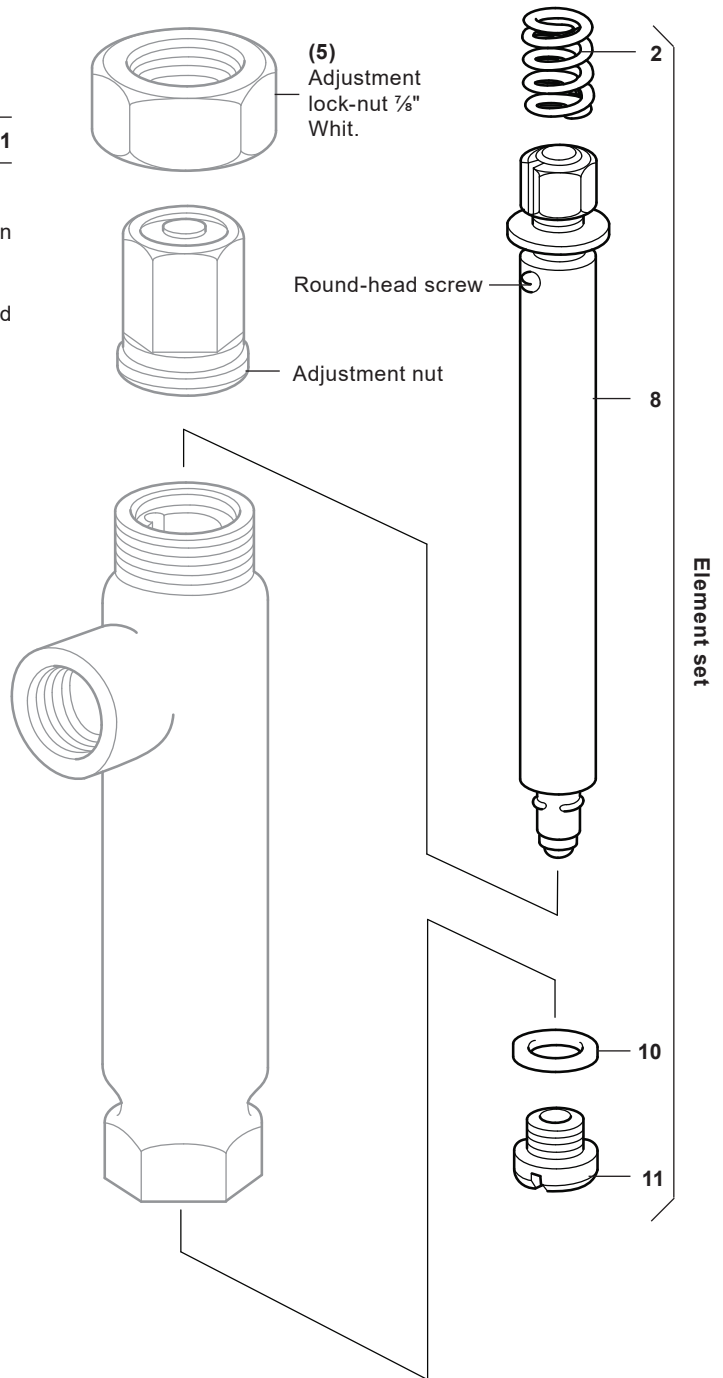
Available spares

Element set	2, 8, 10, 11
-------------	---------------------



How to order spares

Always order spares by using the description given in the column headed 'Available spares' and state the size and type of trap.

Example: 1 - Element set for a 1/2" Spirax Sarco No.8 fixed temperature liquid expansion steam trap.



Recommended tightening torques

Item	 or mm		N m
5	1 5/8 A/F		80 - 85
11		1/2" UNF	30 - 35