

# Controlled Compression System

Featuring Rubber Fab's  
Torque-Rite®



**Rubber Fab**

a Garlock Hygienic Technologies company

# Torque-Rite®

Torque-Rite® converts your sanitary connections into a Controlled Compression System.



**Torque-Rite®** allows you to control compression and expansion while maintaining constant inch/pounds force insuring a controlled compression I.D. Torque-Rite® eliminates the problems associated with over- or under-tightening a seal which can lead to an unsanitary system.

## **Compression control is easy!**

When tightened, the Torque-Rite®'s self-limiting internal mechanism will make an audible "click" signaling the user they have reached proper inch/pounds force. If further tightening is attempted, there will be more "clicks" but no additional application of force on the hygienic seal (if emergency conditions arise, the Torque-Rite® has a built-in manual override feature).

## **Problems with over-tightening or under-tightening a hygienic seal:**

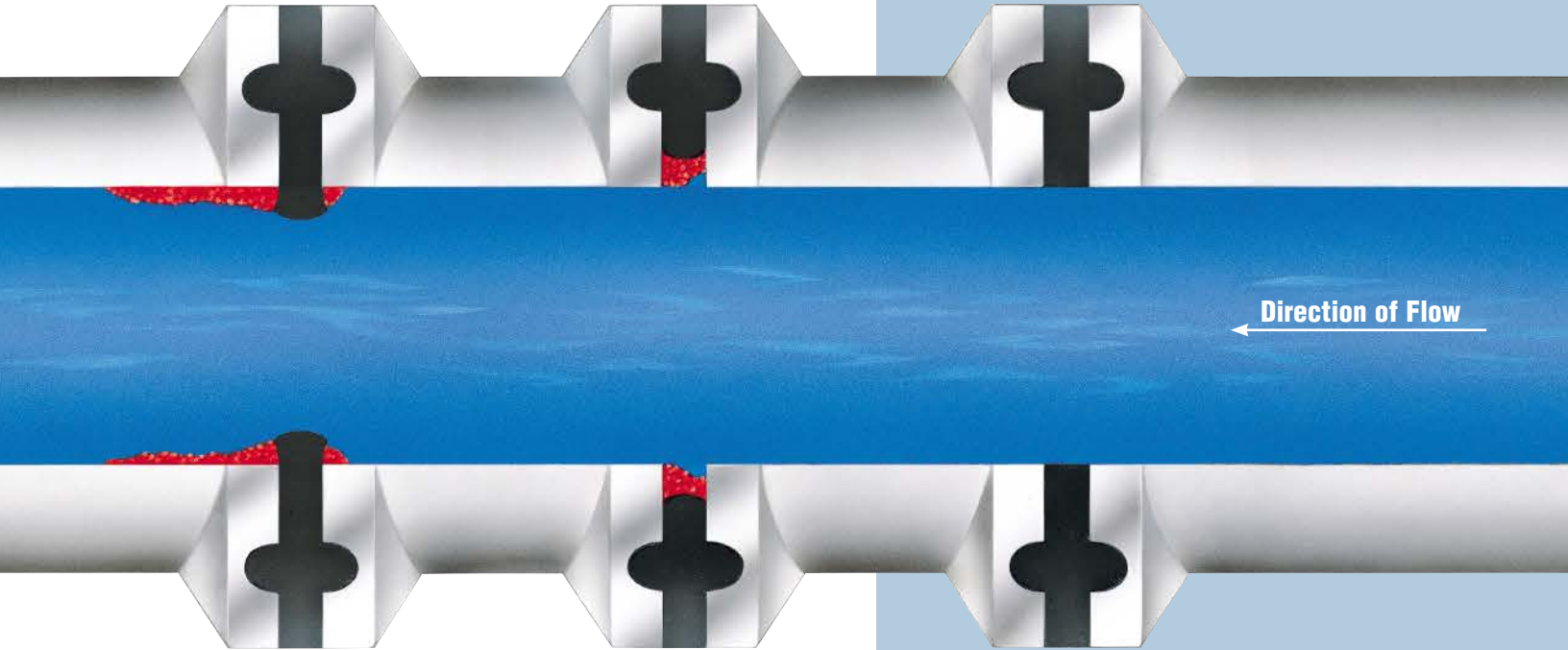
Over-tightening can tear or damage a seal and can also cause a damming effect inside the pipeline. A torn or extruded seal can hold soil and bacteria. Under-tightening leaves an undesirable concave area at the seal allowing soil and bacteria to become entrapped. Both conditions should be avoided in a sanitary system.

## **Maintaining a Controlled Compression Sanitary System**

By maintaining a constant force on a Controlled Compression System with the Torque-Rite®, seal I.D. is maintained lowering bacteria count and enhancing product integrity. A Perfect Surface sanitary system is assured.

# The Controlled Compression System

Torque-Rite® = Compression Control



**DAMMING:**

*An over-tightened hygienic seal extrudes into the pipe, prevents draining, and allows deposits to build up behind the gasket.*

**UNDER-TIGHTENING:**

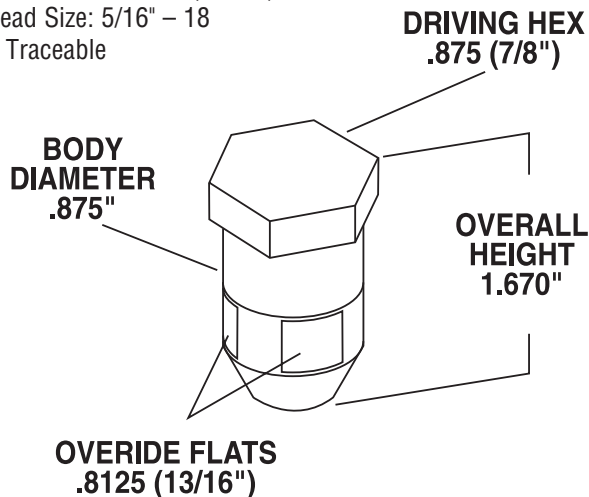
*May allow leakage. Can form concave surfaces at the product side of the hygienic seal affecting free drainage and cleaning.*

**PERFECT SURFACE HYGIENIC SEAL SYSTEM:**

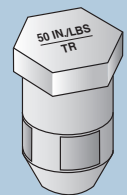
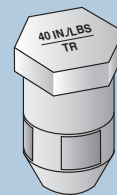
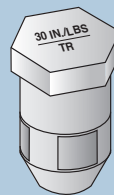
*Torque-Rite® eliminates the concerns associated with over- & under-tightening a hygienic seal. Insures that seal I.D. matches pipe I.D.*

## Torque-Rite® Specifications

Material: 440C Stainless Steel  
 Hardness: 48 Rockwell  
 Overall Height: 1.670"  
 Driving Hex: .875 (7/8")  
 Body Diameter: .875"  
 Override Flats: .8125 (13/16")  
 Thread Size: 5/16" – 18  
 Lot Traceable



## Torque-Rite® is stocked in 3 models



**Model TR-30 and TR-40**

*Recommended for*

- Buna
- Silicone
- FKM Fluoroelastomer
- EPDM
- Tuf-Flex®

**Model TR-50**

*Recommended for*

- PTFE
- Tuf-Steel®
- PTFE Envelope

# The Torque Tee

The Torque Tee also allows you to control compression and expansion while maintaining constant inch/pounds force insuring a controlled compression I.D. This eliminates the problems associated with over- or under-tightening a seal which can lead to an unsanitary system.

The Torque Tee and universal torque socket are designed to aid in clamp installation and removal. Available with a family of components, the Torque Tee handle creates effective tightening leverage and aids in reaching tight spaces, including over head and behind tanks.

## Torque Tee Features

- Available in 30, 40, 50 and 70 in/lbs as a standard
- Works with different style hinge clamp wing nuts
- Torque Tee Wing Socket can be used independently on wing nuts or with Rubber Fab's Torque-Rite® nut
- T-shape creates effective leverage
- Fast easy one handed tightening in the right direction
- Provides an audible click when any factory preset torque is reached
- Reversing collar disengages the ratchet mechanism and locks the tool for conventional backing off and loosening
- Aircraft quality high alloy steel, chrome plated



Torque Accessories



TR-30-TEE-CP



TR-40-TEE-CP



TR-50-TEE-CP



TR-70-TEE-CP



WN/TR-SOCKET

## Torque-Rite® Features:

- An audible “click” indicating correct inch/pounds force
- Maintains constant 30, 40 or 50 inch/pounds force
- Manual override feature
- Retrofits all sanitary clamps, mini through 6"
- Works in rupture disk applications
- Works with all Smart Gasket® products including spore trap, thermocoupler and sampler
- No torque wrench or special training required
- User friendly

NOTE: All elastomeric hygienic seals require periodic replacement. Seal life is influenced by the seal material, product application, temperature, cleaning procedures, etc. After monitoring seal condition in a process system, a schedule should be developed for periodic replacement of hygienic seals.

Smart Gasket, Torque-Rite, Tuf-Flex, Tuf-Steel and ADI Free are registered trademarks of Rubber Fab. Torque-Rite: United States Patent Number 6,082,941.

# Rubber Fab

a Garlock Hygienic Technologies company

26 Brookfield Drive • Sparta, NJ 07871

973.579.2959 • Toll Free: 866.442.2959

fax: 973-579-7275 • email: sales@rubberfab.com

[www.rubberfab.com](http://www.rubberfab.com)

### TR-30-TEE-CP

#### and TR-40-TEE-CP

Recommended for

- Buna
- Silicone
- FKM Fluoroelastomer
- EPDM
- Tuf-Flex®

### TR-50-TEE-CP

Recommended for

- PTFE
- Tuf-Steel®
- PTFE Envelope

### TR-70-TEE-CP

Recommended for

- GYLON BIO-PRO®
- GYLON® BIO-PRO PLUS™

Rubber Fab is a member of:

**ISPE**



International Association of  
Food Industry Suppliers



MEMBER  
THE ASSOCIATION FOR HOSE AND  
ACCESSORIES DISTRIBUTION

**fisa**  
Distributors Serving  
Sanitary Processing